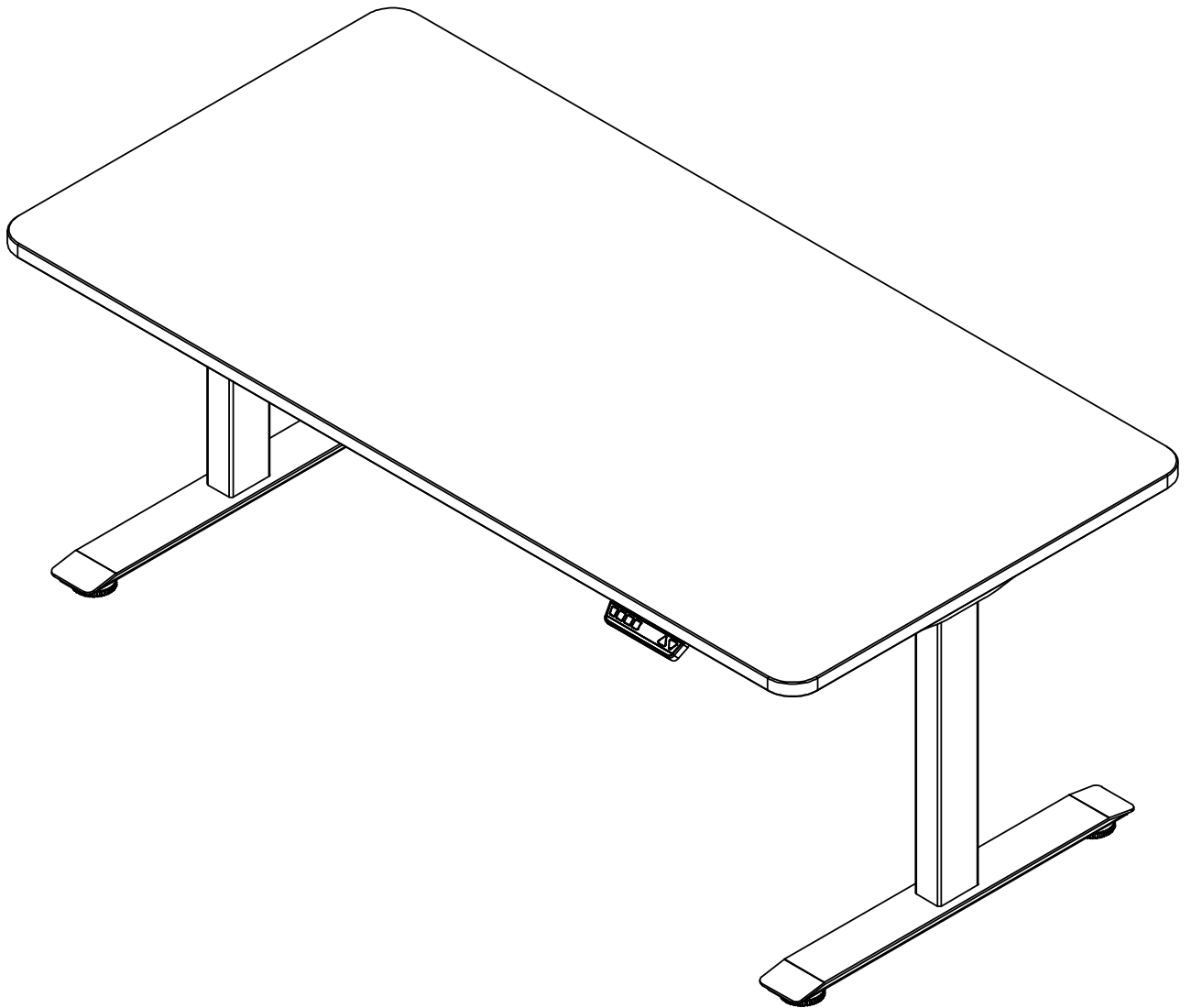




**DEWERT OKIN**

**Superior Quality  
Originated from Germany**



# **Operation Manual for Height-Adjustable Desk**

[www.okin-refined.com](http://www.okin-refined.com)

# Caution



Keep children and pets away from the electric high-adjustable desk during the operation. Unplug the power cord during a thunderstorm or if you do not intend to use the desk for long time.



Make sure desktop not touch the wall.



Ensure no obstacles in the desk's path, and no any object above 20" under the desk.



Working environment temperature 0-40°C, keep products away from corrosive gas, liquid and dusty objects.



It is strictly forbidden to disassemble the products privately to avoid that the failure of the products or the damage to the human body caused by electronic products, etc.



Although the product with anti-collision function, in order to avoid any pinching, please ensures that hands or other parts of your body are in a safe position during the operation. Anti-collision is not enabled during all resets.



Please read following instruction carefully before use the height-adjustable desk. The company does not bear any warranty or liability for damage and human injury caused by any abnormal operation.

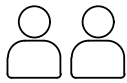


It is necessary to be reset manually after initial installation or power off.

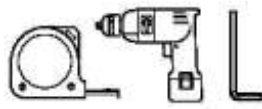
# BOM

**5** min

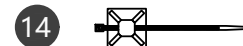
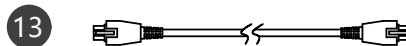
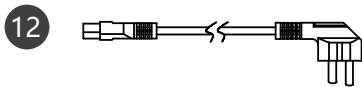
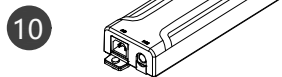
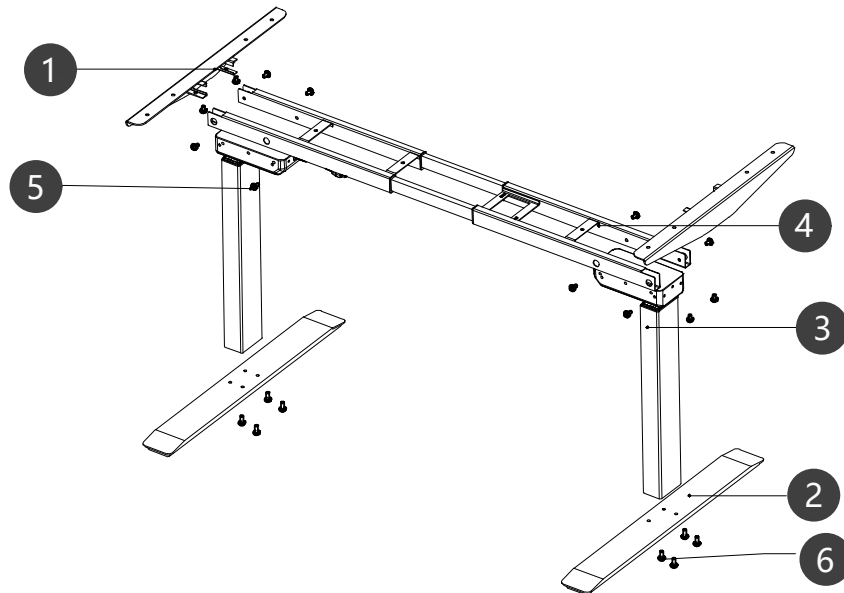
Assembling time



Two people



Tools



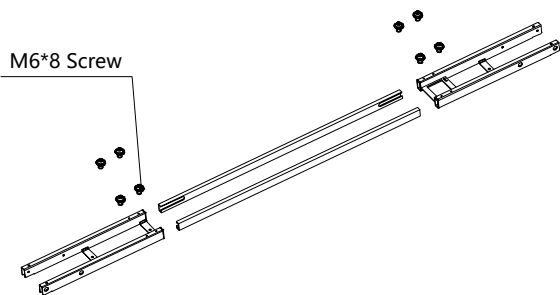
| NO | Part name    | Qty(PCS) |
|----|--------------|----------|
| 1  | Side Bracket | 2        |
| 2  | Foot         | 2        |
| 3  | Column       | 2        |
| 4  | Frame        | 1        |
| 5  | M6*10 Screw  | 12       |
| 6  | M6*16 Screw  | 8        |
| 7  | Guide Sleeve | 8        |

| NO | Part name              | Qty(PCS) |
|----|------------------------|----------|
| 8  | ST4.8*16 Tapping Screw | 11       |
| 9  | ST3.5*16 Tapping Screw | 2        |
| 10 | Control Box            | 1        |
| 11 | Handset                | 1        |
| 12 | Power Cord             | 1        |
| 13 | Extension Cable        | 1        |
| 14 | Cable Clip             | 6        |

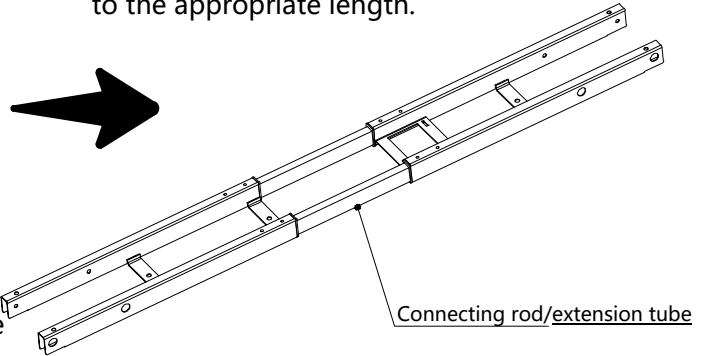
# Installation Instruction

## STEP 1

- Set frame 1 and frame 2 flat.
- Insert frame 1 into frame 2 respectively.



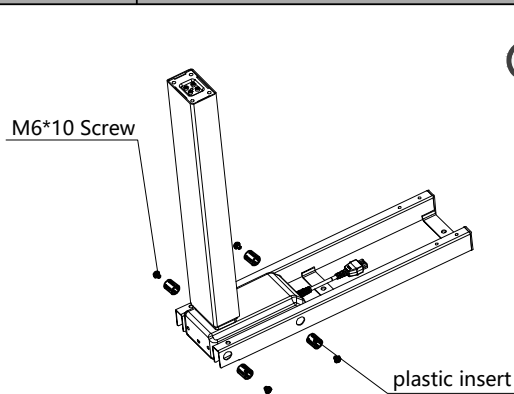
**i** This step has been pre-installed before shipment, please check whether there is a lack of spare parts, and adjust the frame extension tube to the appropriate length.



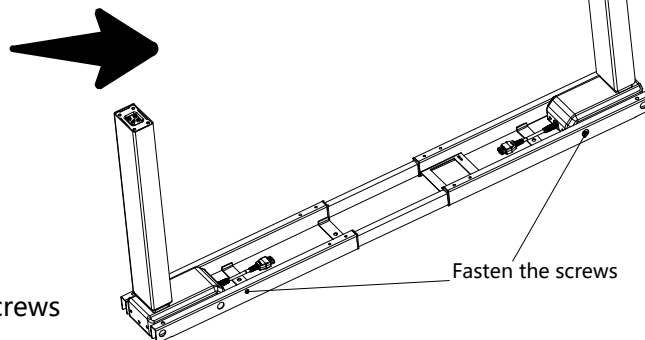
- i** Avoid excessive tightening screws
- i** pay attention to the direction of pipe orifice sleeve and connection tube notch.

## STEP 2

- Insert the columns into frame 1 and frame 2 respectively, line up the holes on the frame and column.
- Pre-tighten the screws.



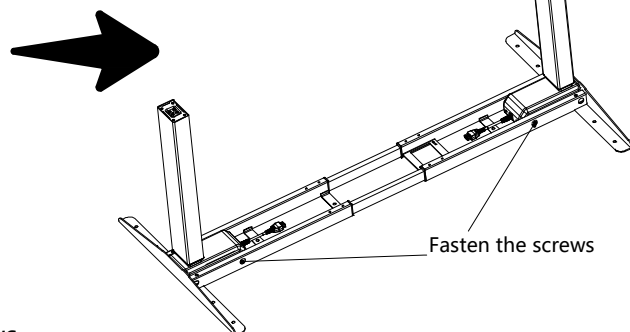
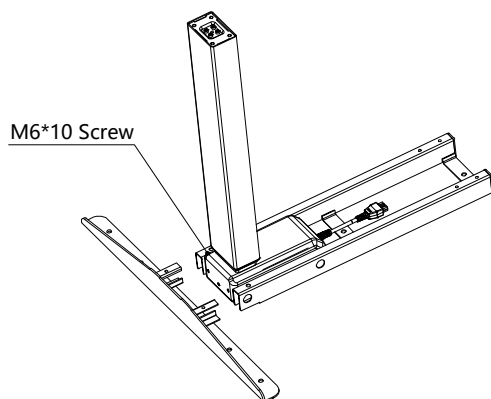
**i** Do not use the Guide Sleeve if the frame length needed less than 1350mm.



- i** Avoid excessive tightening screws

## STEP 3

- Insert the side brackets into frame 1 and frame 2 respectively.
- Fasten the screws.

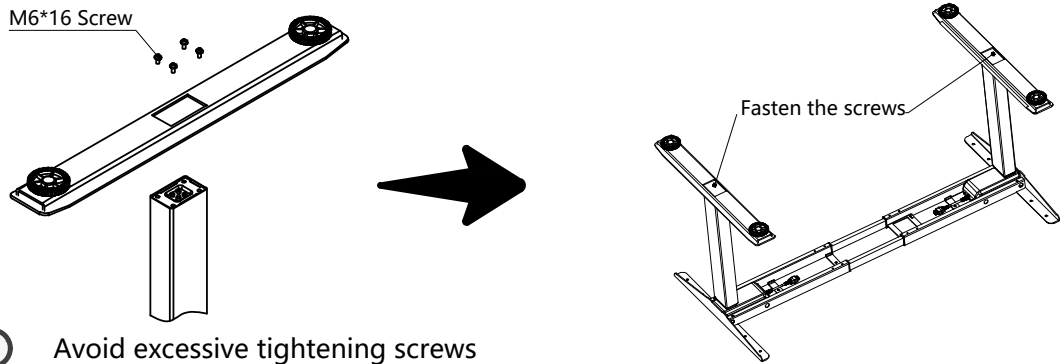


- i** Avoid excessive tightening screws

# Installation Instruction

## STEP 4

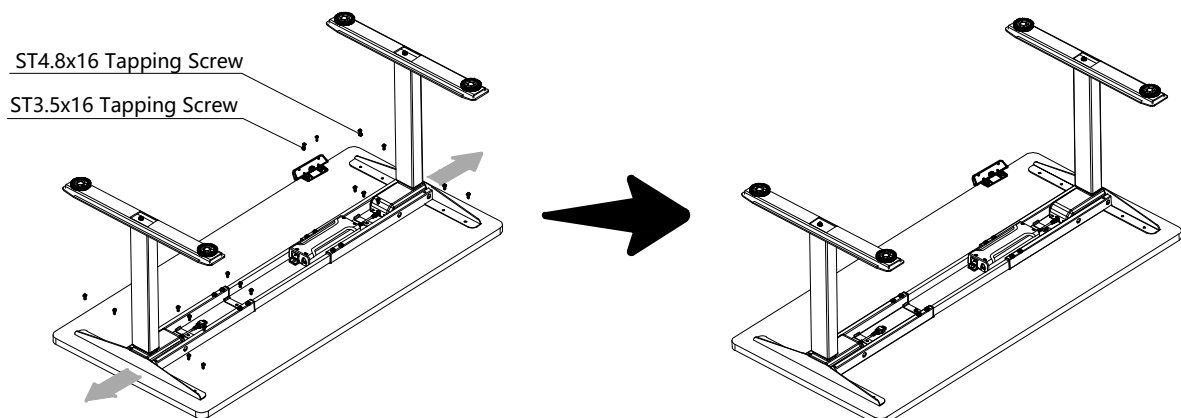
- Line up the screw holes on the feet and columns.
- Fasten the screws.



 Avoid excessive tightening screws

## STEP 5

- Check both side of desktop before placing the base on the bottom side of the desktop. Adjust the suitable width. It is suggested that the two sides of the frame side brackets are 2 inch from the edge of the desktop and fasten screws.
- As shown in below, connect related parts, including control box, extension cable and power cord.



▲The frame width is adjustable: 44 inch~70 inch, which is suitable for different desktop.

## STEP 6

- Install the handset on suitable position of desktop edge to avoid interference with humans or chairs.
- Tidy up all the power cables, and fasten with cable clip.

